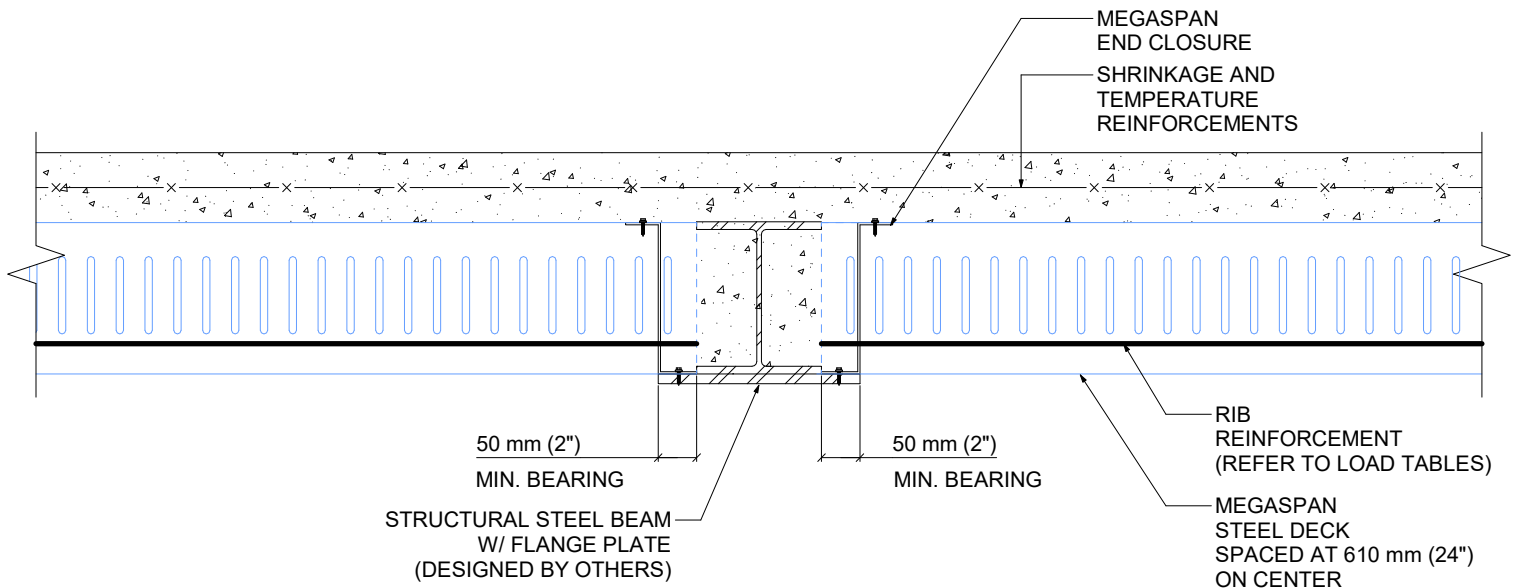


MegaSPAN

Composite Floor System

STL-001



END-BEARING ON FLUSH STRUCTURAL STEEL BEAM (BOTH SIDES)

REVISION NO. 1
DRAWN BY HL
DATE JAN 01, 2021
SCALE 1 : 10



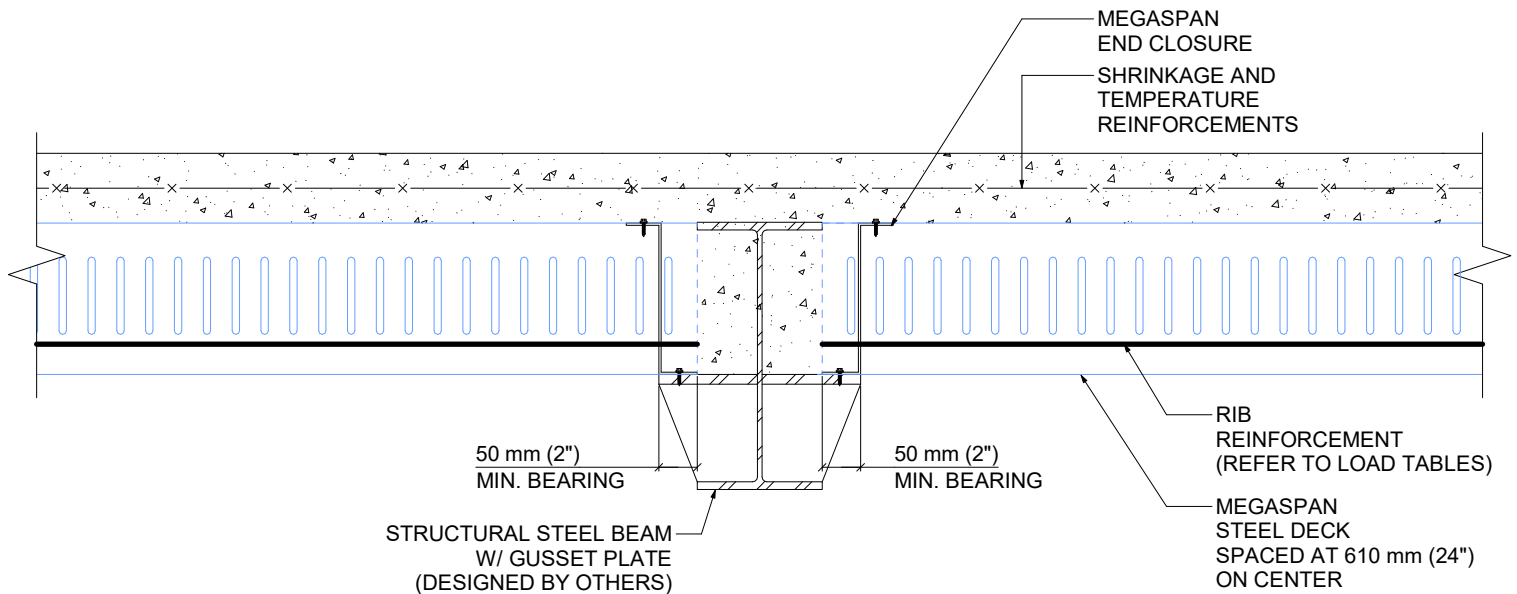
8 ABACUS RD,
BRAMPTON, ONTARIO
TEL: (289) 588-0936 FAX: (905) 482 1920
contact@cpt-group.ca sales@cpt-group.ca

This drawing is intended as an aid to the design professional and should not be used to replace the judgement of a qualified engineer or architect. Canadian Panel Tech Limited makes no warranties, express or implied, for variations from such drawings in actual construction and does not obviate the need to determine the suitability for a given situation. Canadian Panel Tech Limited assumes no responsibility for any errors that may appear in this drawing. Please visit www.cpt-group.ca for more information.

MegaSPAN

Composite Floor System

STL-002



END-BEARING ON DEEP FLUSH STRUCTURAL STEEL BEAM (BOTH SIDES)

REVISION NO.	1
DRAWN BY	HL
DATE	JAN 01, 2021
SCALE	1 : 10



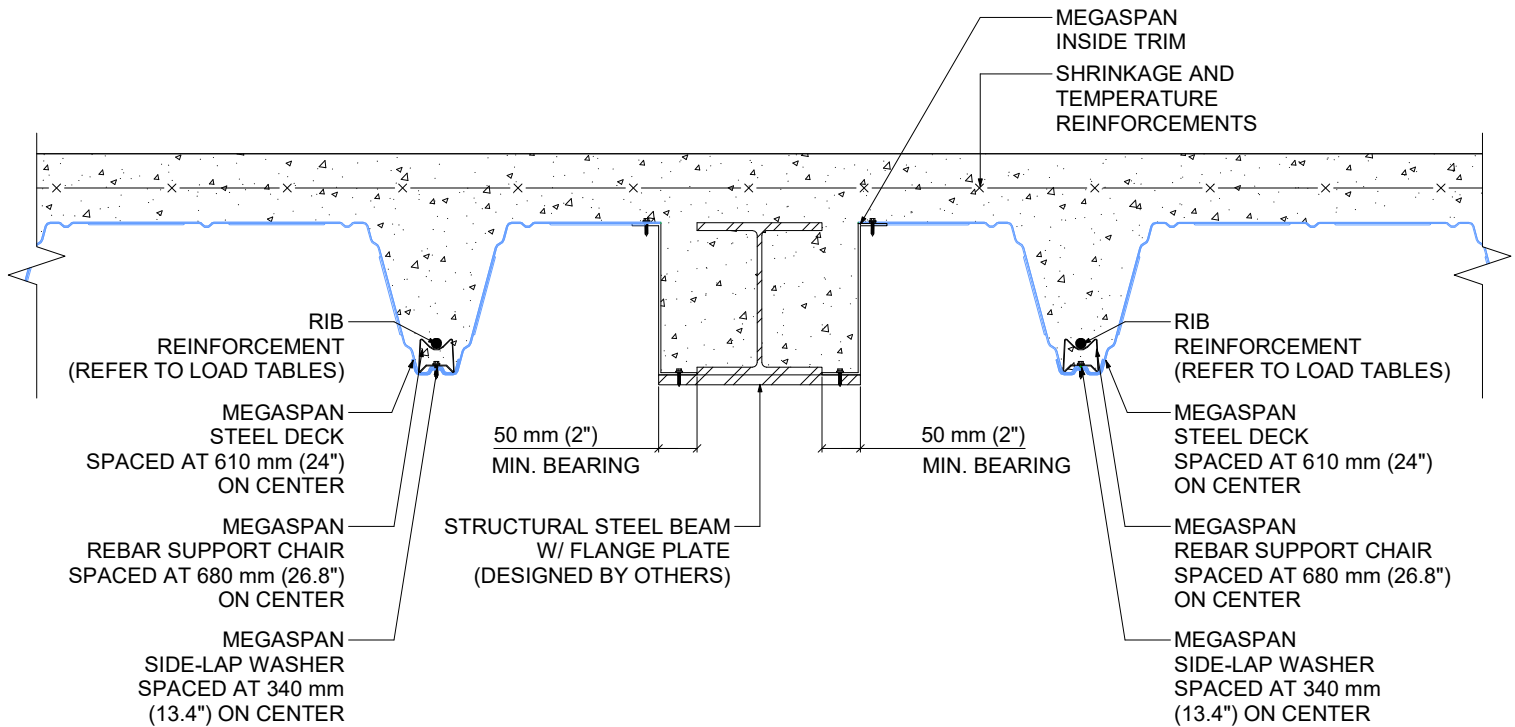
8 ABACUS RD,
BRAMPTON, ONTARIO
TEL: (289) 588-0936 FAX: (905) 482 1920
contact@cpt-group.ca sales@cpt-group.ca

This drawing is intended as an aid to the design professional and should not be used to replace the judgement of a qualified engineer or architect. Canadian Panel Tech Limited makes no warranties, express or implied, for variations from such drawings in actual construction and does not obviate the need to determine the suitability for a given situation. Canadian Panel Tech Limited assumes no responsibility for any errors that may appear in this drawing. Please visit www.cpt-group.ca for more information.

MegaSPAN

Composite Floor System

STL-003



SIDE-BEARING ON FLUSH STRUCTURAL STEEL BEAM (BOTH SIDES)

REVISION NO.	1
DRAWN BY	HL
DATE	JAN 01, 2021
SCALE	1 : 10



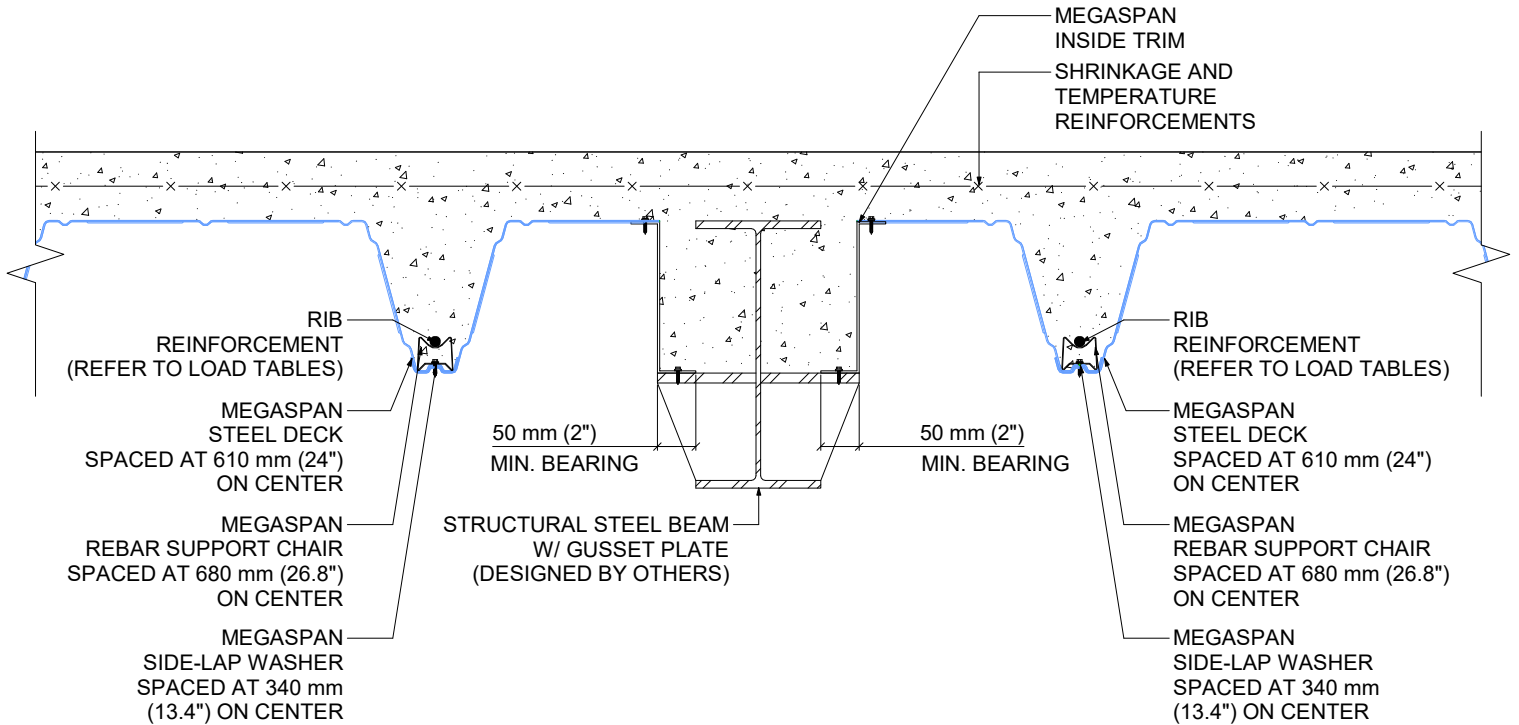
8 ABACUS RD,
BRAMPTON, ONTARIO
TEL: (289) 588-0936 FAX: (905) 482 1920
contact@cpt-group.ca sales@cpt-group.ca

This drawing is intended as an aid to the design professional and should not be used to replace the judgement of a qualified engineer or architect. Canadian Panel Tech Limited makes no warranties, express or implied, for variations from such drawings in actual construction and does not obviate the need to determine the suitability for a given situation. Canadian Panel Tech Limited assumes no responsibility for any errors that may appear in this drawing. Please visit www.cpt-group.ca for more information.

MegaSPAN

Composite Floor System

STL-004



SIDE-BEARING ON DEEP FLUSH STRUCTURAL STEEL BEAM (BOTH SIDES)

REVISION NO.	1
DRAWN BY	HL
DATE	JAN 01, 2021
SCALE	1 : 10



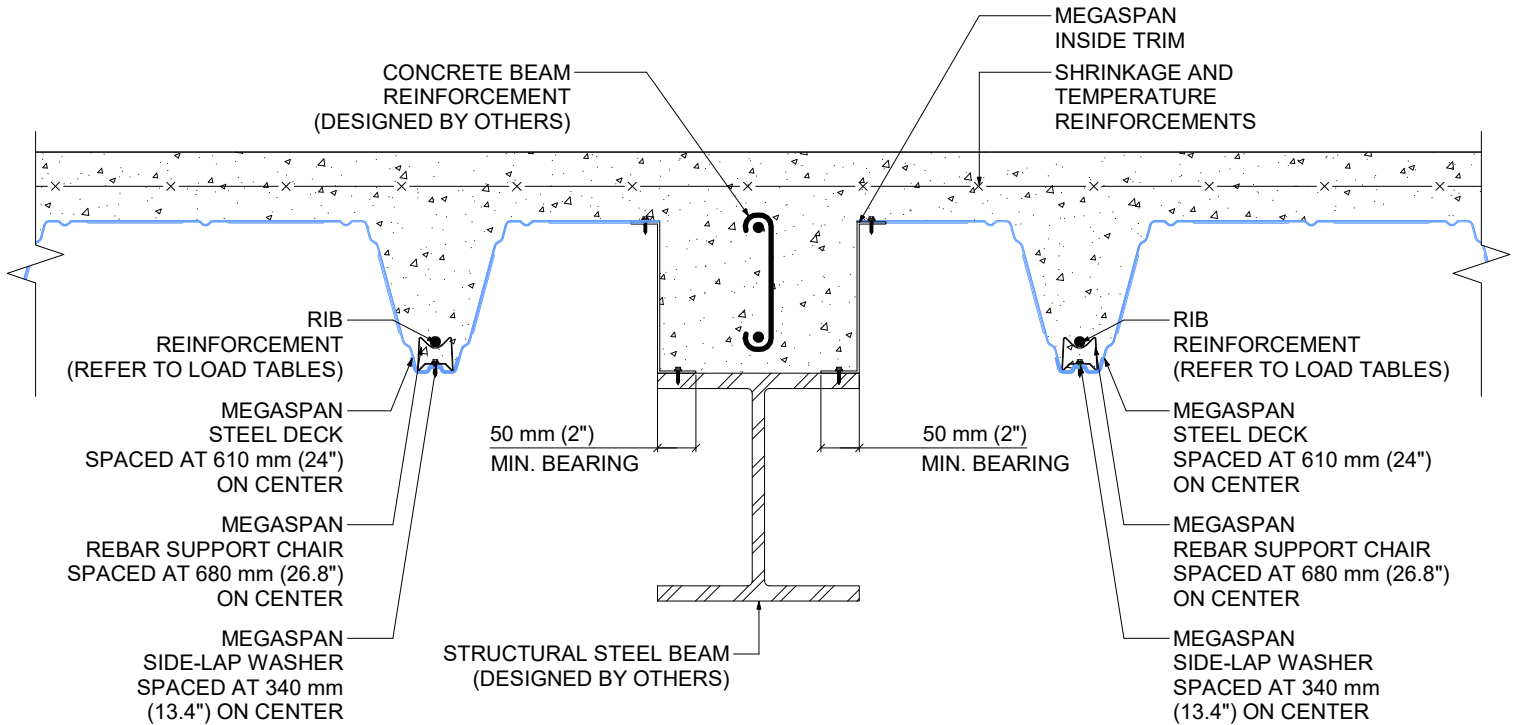
8 ABACUS RD,
BRAMPTON, ONTARIO
TEL: (289) 588-0936 FAX: (905) 482 1920
contact@cpt-group.ca sales@cpt-group.ca

This drawing is intended as an aid to the design professional and should not be used to replace the judgement of a qualified engineer or architect. Canadian Panel Tech Limited makes no warranties, express or implied, for variations from such drawings in actual construction and does not obviate the need to determine the suitability for a given situation. Canadian Panel Tech Limited assumes no responsibility for any errors that may appear in this drawing. Please visit www.cpt-group.ca for more information.

MegaSPAN

Composite Floor System

STL-006



SIDE-BEARING ON DROPPED STRUCTURAL STEEL BEAM (BOTH SIDES)

REVISION NO.

1

DRAWN BY

HL

DATE

JAN 01, 2021

SCALE

1 : 10



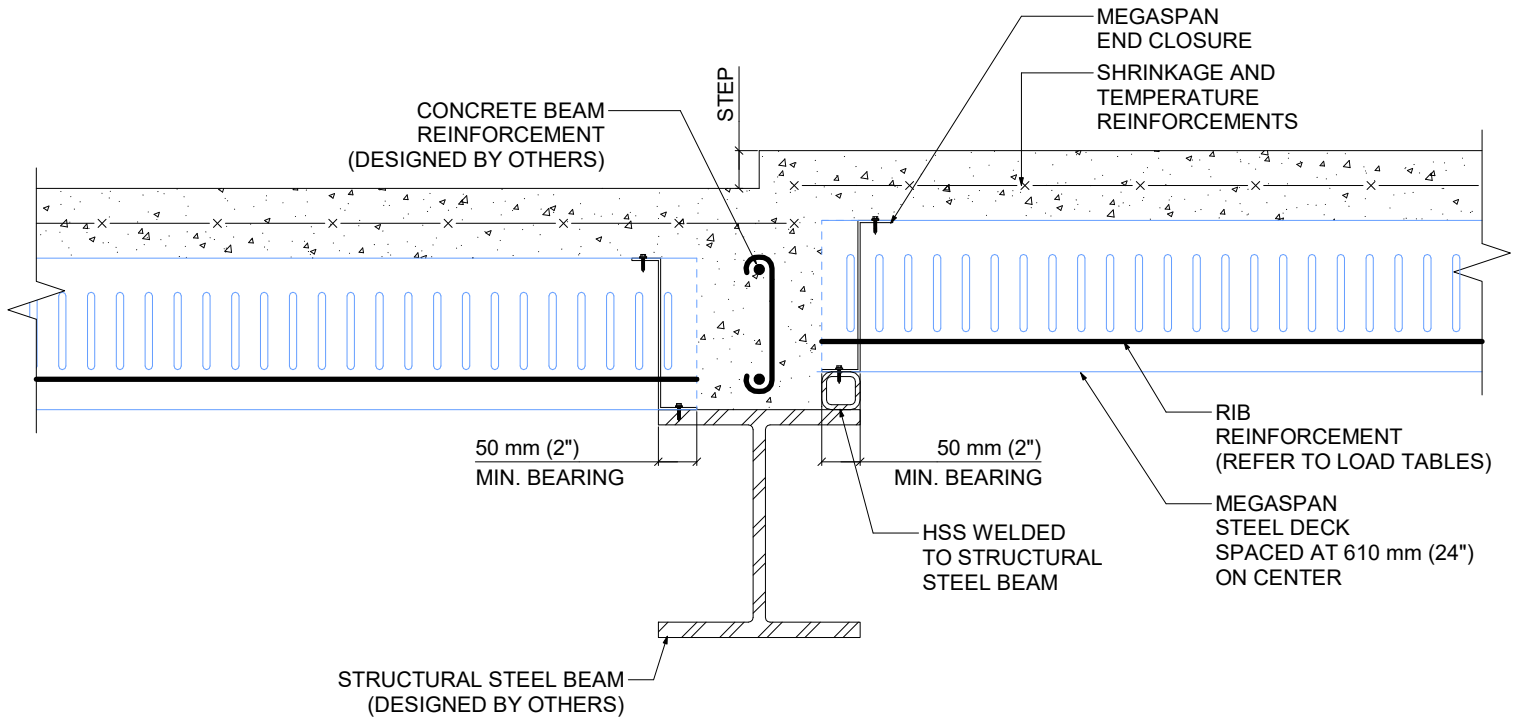
8 ABACUS RD,
BRAMPTON, ONTARIO
TEL: (289) 588-0936 FAX: (905) 482 1920
contact@cpt-group.ca sales@cpt-group.ca

This drawing is intended as an aid to the design professional and should not be used to replace the judgement of a qualified engineer or architect. Canadian Panel Tech Limited makes no warranties, express or implied, for variations from such drawings in actual construction and does not obviate the need to determine the suitability for a given situation. Canadian Panel Tech Limited assumes no responsibility for any errors that may appear in this drawing. Please visit www.cpt-group.ca for more information.

MegaSPAN

Composite Floor System

STL-007



END-BEARING ON STEPPED DROPPED STRUCTURAL STEEL BEAM (BOTH SIDES)

REVISION NO.	1
DRAWN BY	HL
DATE	JAN 01, 2021
SCALE	1 : 10



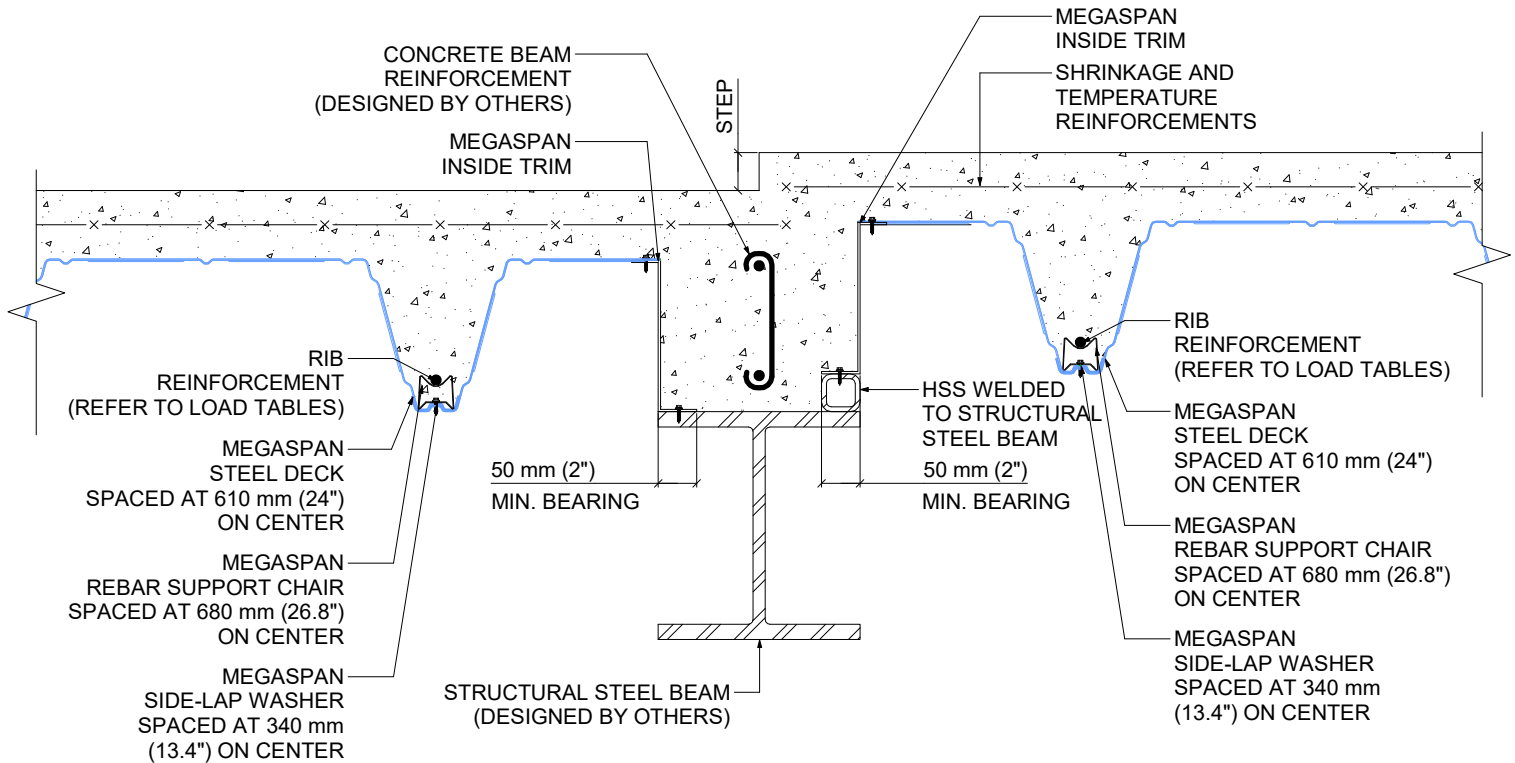
8 ABACUS RD,
BRAMPTON, ONTARIO
TEL: (289) 588-0936 FAX: (905) 482 1920
contact@cpt-group.ca sales@cpt-group.ca

This drawing is intended as an aid to the design professional and should not be used to replace the judgement of a qualified engineer or architect. Canadian Panel Tech Limited makes no warranties, express or implied, for variations from such drawings in actual construction and does not obviate the need to determine the suitability for a given situation. Canadian Panel Tech Limited assumes no responsibility for any errors that may appear in this drawing. Please visit www.cpt-group.ca for more information.

MegaSPAN

Composite Floor System

STL-008



SIDE-BEARING ON STEPPED DROPPED STRUCTURAL STEEL BEAM (BOTH SIDES)

REVISION NO.	1
DRAWN BY	HL
DATE	JAN 01, 2021
SCALE	1 : 10



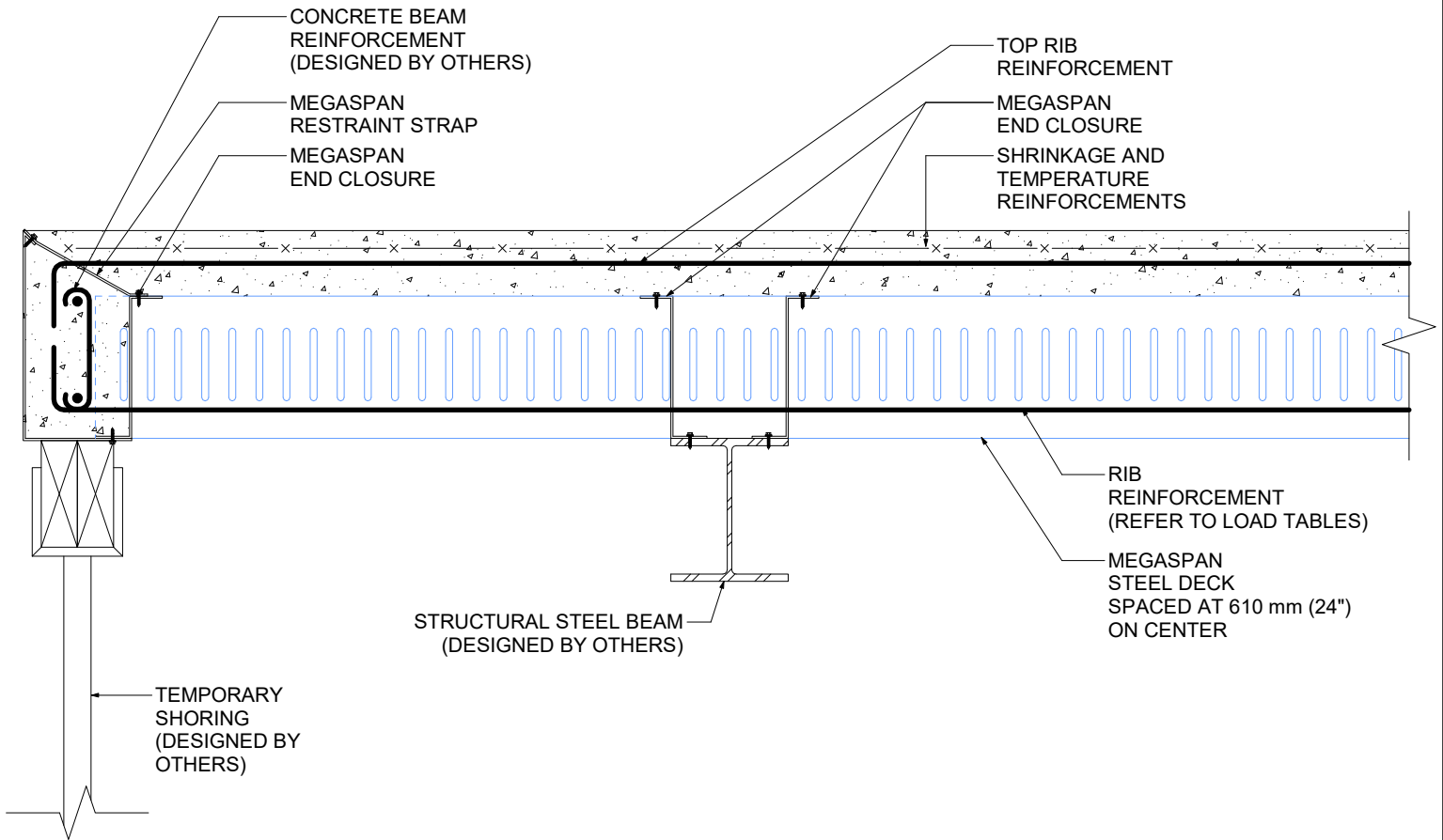
8 ABACUS RD,
BRAMPTON, ONTARIO
TEL: (289) 588-0936 FAX: (905) 482 1920
contact@cpt-group.ca sales@cpt-group.ca

This drawing is intended as an aid to the design professional and should not be used to replace the judgement of a qualified engineer or architect. Canadian Panel Tech Limited makes no warranties, express or implied, for variations from such drawings in actual construction and does not obviate the need to determine the suitability for a given situation. Canadian Panel Tech Limited assumes no responsibility for any errors that may appear in this drawing. Please visit www.cpt-group.ca for more information.

MegaSPAN

Composite Floor System

STL-009



CANTILEVER ON STRUCTURAL STEEL BEAM

REVISION NO.

1

DRAWN BY

Author

DATE

JAN 01, 2021

SCALE

1 : 10



8 ABACUS RD,
BRAMPTON, ONTARIO
TEL: (289) 588-0936 FAX: (905) 482 1920
contact@cpt-group.ca sales@cpt-group.ca

This drawing is intended as an aid to the design professional and should not be used to replace the judgement of a qualified engineer or architect. Canadian Panel Tech Limited makes no warranties, express or implied, for variations from such drawings in actual construction and does not obviate the need to determine the suitability for a given situation. Canadian Panel Tech Limited assumes no responsibility for any errors that may appear in this drawing. Please visit www.cpt-group.ca for more information.